

Citymaster 650 1470.15

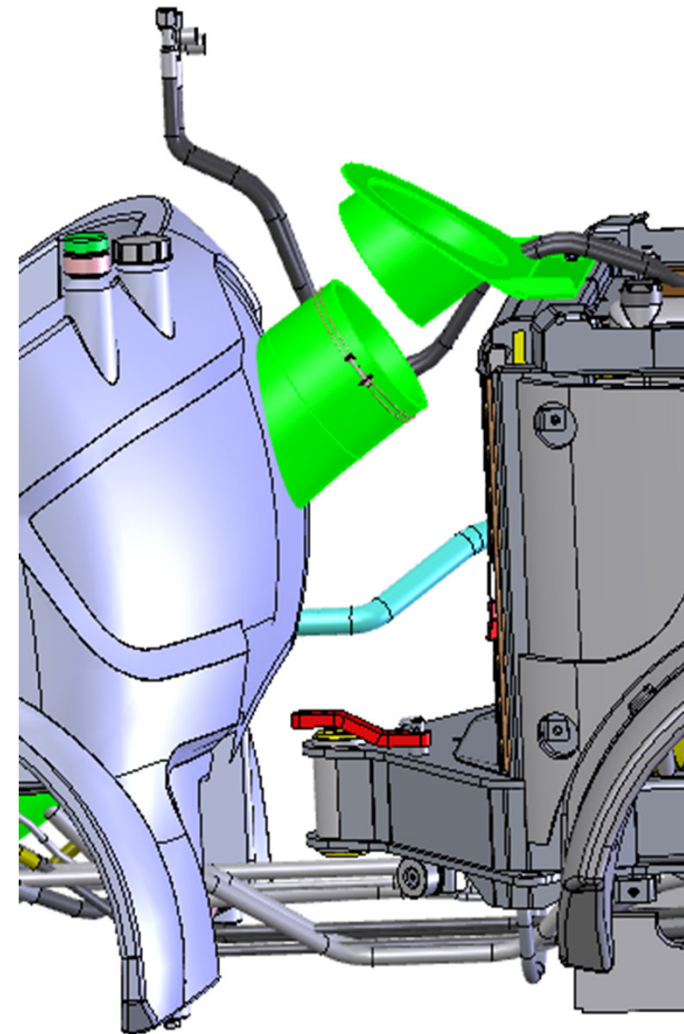
12.0.3 Disassembly of the fresh water tank



To disassemble the fresh water tank, the cab must be lifted slightly. A crane is therefore absolutely necessary.

In addition, a second person is necessary to lift out the fresh water tank.

- Lower the front device carrier.
- Remove the suction hose and suction hose attachment on the rear carriage.
- **When lifting the driver's cab, pay attention to the hoses of the air conditioning unit.**



Citymaster 650 1470.15

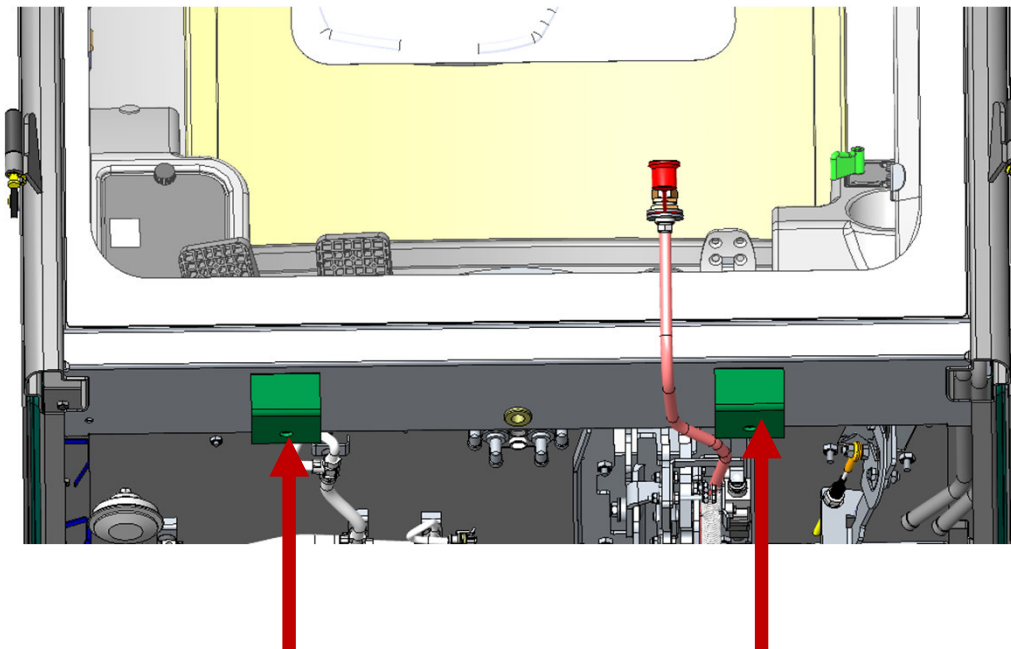
12.0.3 Disassembly of the fresh water tank



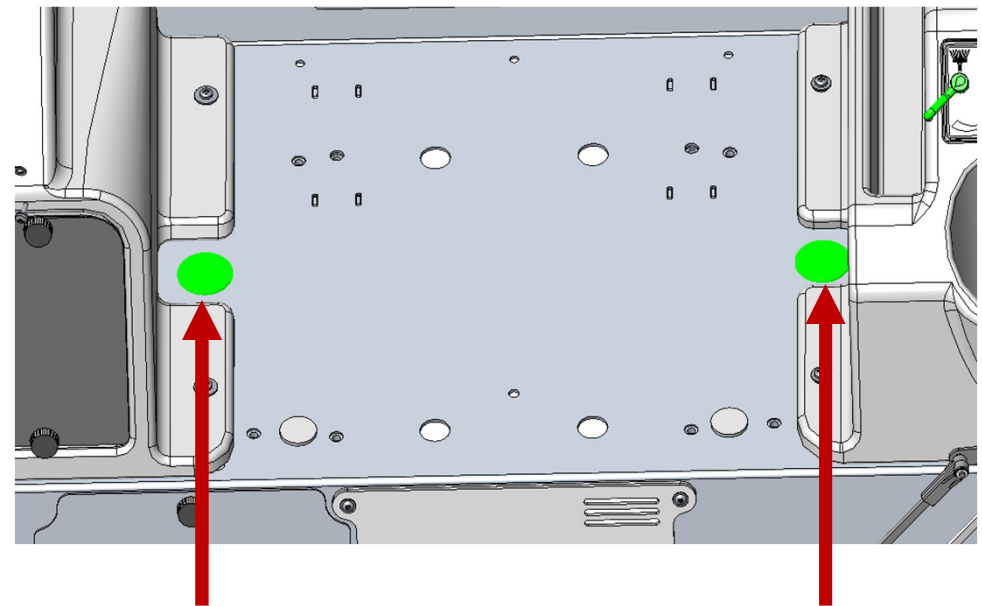
To be able to lift the cabin:

Loosen the front two screws and remove the rear two screws of the driver's cab

View from lower front



Under the driver's seat



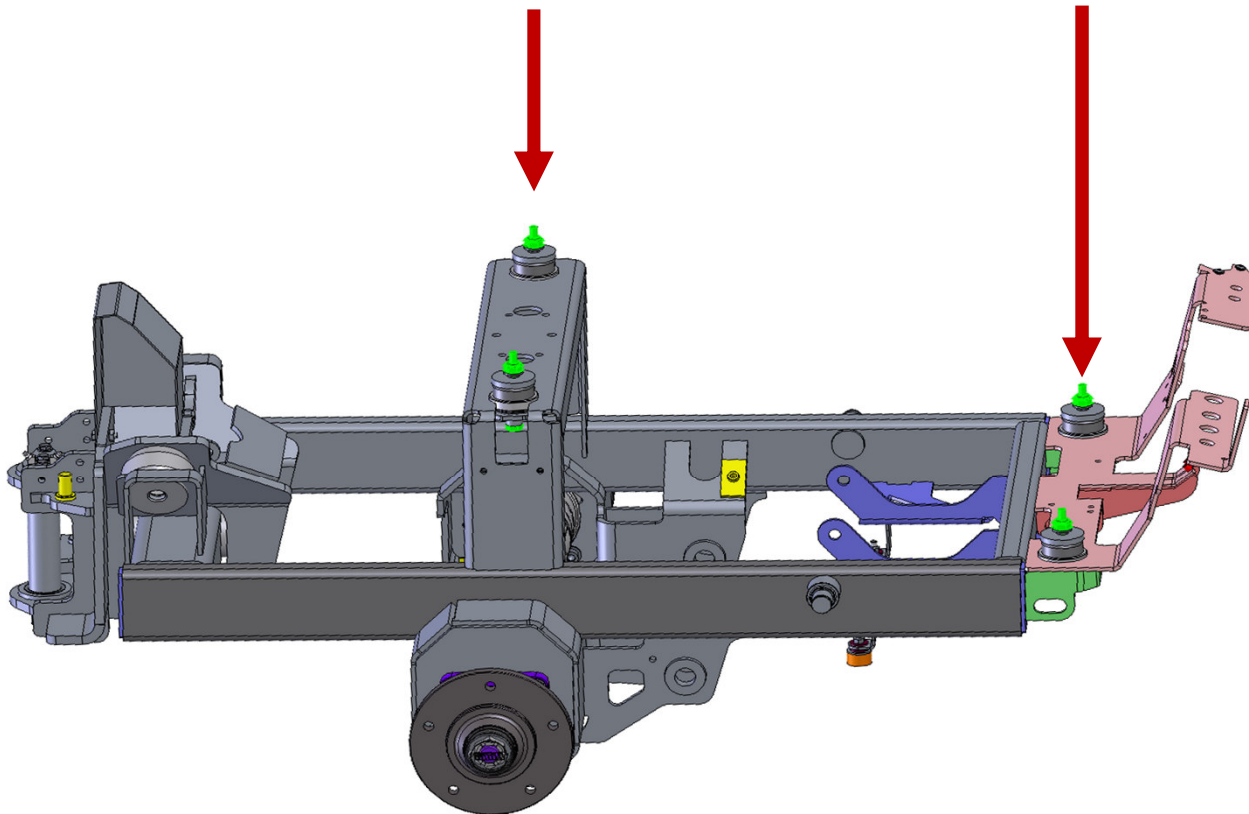
Citymaster 650 1470.15

12.0.3 Disassembly of the fresh water tank



To be able to lift the cabin:

Loosen the front two screws and remove the rear two screws of the driver's cab



Citymaster 650 1470.15

12.0.3 Disassembly of the fresh water tank



- With a slightly raised cab, loosen the two screws shown in green to secure the tank

